

# Linear luminaire sheet steel for fluorescent lamps

## Series 6012/11



E2



- > For use in Zones 1 & 2, 21 & 22
- > Extra flat version for low mounting depth
- > In 2- or 4-lamp version
- > Powder-coated sheet-steel or stainless steel
- > Central lock
- > All-pole disconnection when the lamp is opened

www.stahl.de



17234E00



Series 6012 light fittings are preferred for use in spraying and painting installations.

Zone	ATEX / IECEx					
	0	1	2	20	21	22
For use in		x	x		x	x

**WebCode 6012B**

# Linear luminaire sheet steel for fluorescent lamps

## Series 6012/11

Selection Table

Version	Cable glands	Number of lamps	Lamp wattage W	Material	Order number	
Linear Luminaire Sheet Steel for Fluorescent Lamps Series 6012/11	3 x M25	2	18	Sheet steel	6012/1112-2951-1100-11	
			18	Stainless steel	6012/1112-2951-1100-14	
		2	36	Sheet steel	6012/1114-2951-1100-11	
			36	Stainless steel	6012/1114-2951-1100-14	
		4	58	Sheet steel	6012/1116-2951-1100-11	
			18	Sheet steel	6012/1122-4951-1100-11	
		4	18	Stainless steel	6012/1122-4951-1100-14	
			36	Sheet steel	6012/1124-4951-1100-11	
	3 x M20	2	2	18	Sheet steel	6012/1112-2958-1100-11
				18	Stainless steel	6012/1112-2958-1100-14
		2	36	Sheet steel	6012/1114-2958-1100-11	
			36	Stainless steel	6012/1114-2958-1100-14	
		4	58	Sheet steel	6012/1116-2958-1100-11	
			18	Sheet steel	6012/1122-4958-1100-11	
		4	18	Stainless steel	6012/1122-4958-1100-14	
			36	Sheet steel	6012/1124-4958-1100-11	
		4	36	Stainless steel	6012/1124-4958-1100-14	
			58	Sheet steel	6012/1126-4958-1100-11	

### Order Number Supplement

Connection terminal	Spring clamp terminal up to 4 mm <sup>2</sup>	6012/1 . . . . . 0 . . .
	Screw terminal up to 6 mm <sup>2</sup>	6012/1 . . . . . 1 . . .

**Note**

The lights are delivered without fluorescent lamps and assembly parts. These parts must be ordered separately!

### Explosion Protection

#### Global (IECEx)

Gas and dust	IECEx BVS 14.0049 Ex d e IIC T4 Gb Ex tb IIIC T80°C Db
--------------	--

#### Europe (ATEX)

Gas and dust	BVS 14 ATEX E 078 ⊕ II 2G Ex d e IIC T4 Gb ⊕ II 2D Ex tb IIIC T80°C Db
--------------	--

#### Certifications and certificates

Certificates	IECEx, ATEX, India (PESO)
--------------	---------------------------

# Linear luminaire sheet steel for fluorescent lamps

## Series 6012/11



E2

### Technical Data

#### Electrical data

Ballast	6012/1...-...-1...-	6012/1...-...-4...-
Lampstart	Cold start	Cold start
Voltage	220 ... 240 V AC	110 ... 240 V AC
DC voltage in case of ignition	198 ... 264 V DC	104 ... 264 V DC
DC voltage during operation	176 ... 264 V DC	104 ... 264 V DC
Frequency	0 / 50 ... 60 Hz	0 / 50 ... 60 Hz
Lamp operation DC	6012/111...-...-1...-	6012/112...-...-1...-
	1-lamp (standard)	1-lamp (standard)
	6012/112...-...-1...-	6012/112...-...-1...-
	2-lamps (standard)	2-lamps (standard)
Lamp standard	IEC 60081	IEC 60081
Lamp power	18 W, 36 W, 58 W	18 W, 36 W
Nominal current	2 x 18 W: 150 ... 170 mA 2 x 36 W: 300 ... 320 mA 2 x 58 W: 460 ... 500 mA 4 x 18 W: 300 ... 340 mA 4 x 36 W: 600 ... 640 mA 4 x 58 W: 920 ... 1000 mA	2 x 18 W: 170 ... 345 mA 2 x 36 W: 310 ... 660 mA 4 x 18 W: 340 ... 690 mA 4 x 36 W: 620 ... 1320 mA
Power factor $\cos \varphi$	$\geq 0.96$	

#### Ambient conditions

Operating temperature range	-35 ... +60 °C (version 18 W and 36 W) -35 ... +50 °C (version 58 W)
-----------------------------	---

#### Mechanical data

Degree of protection	IP65 IP64 when using breather 8162 IP66 when using the flushing frame (IEC 60598)
Protection class	I (with internal PE-terminal)
Material	
Enclosure	Sheet-steel, powder-coated, white, similar to RAL 9016 Brushed stainless steel SS304 (V2A   1.4301) Brushed stainless steel SS316L (V4A   1.4404)
Lens	Safety glass
Seal	Foamed silicone seal in luminaire enclosure
Luminaire locking	Central locking; glass cover hinged for access



#### Mounting / Installation

Cable glands	1x M20/M25 left and 2x M20/M25 right, 1x cable glands and 2 stopping plugs as standard
Connection	Spring clamp terminal up to 4 mm <sup>2</sup> 3-pole (2 x L1, 2 x N, 2 x PE) 5-pole (2 x L1, 2 x L2, 2 x L3, 2 x N, 2 x PE)
Through wiring	Screw terminal up to 6 mm <sup>2</sup> 3-pole (2 x L1, 2 x N, 2 x PE) 5-pole (2 x L1, 2 x L2, 2 x L3, 2 x N, 2 x PE)
Assembly	Optional (max. 12 A) <b>Wall mounted luminaire</b> M8 threads on both sides of the luminaire for mounting of wall mounting brackets. <b>Recessed light fitting:</b> Variant 1: flushing frame attached to enclosure using M6 screws Variant 2: flushing frame welded to enclosure <b>Note:</b> For both installation versions, the luminaires must either be mounted on the back or the sides of the luminaire using the M8 threads.

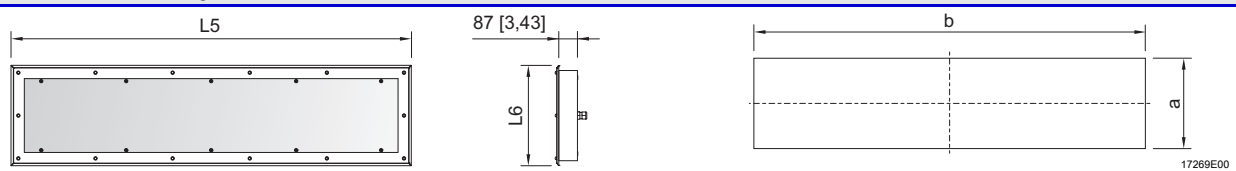
# Linear luminaire sheet steel for fluorescent lamps

## Series 6012/11

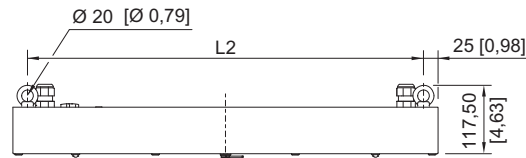
### Accessories and Spare Parts

Designation	Figure	Description	Art. no.	Weight kg
Fluorescent lamps		18 W    1350 lm	<b>108952</b>	0.100
		36 W    3350 lm	<b>108951</b>	0.200
		58 W    5200 lm	<b>108950</b>	0.220
Breathing gland		for installation in lights; in moulded material; without counter nut		
		Thread:    M25 x 1.5                    1 pc	<b>138573</b>	0.010
		Thread:    M25 x 1.5                    20 pcs	<b>138576</b>	0.200

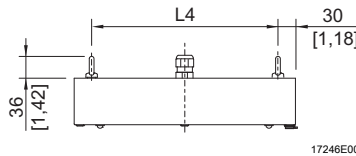
### Dimensional Drawings (All Dimensions in mm [inches]) - Subject to Alterations



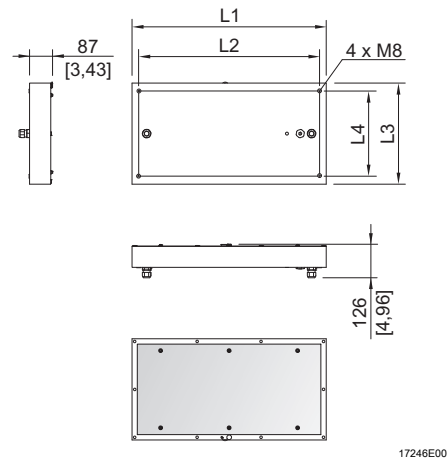
### Light Fitting with flushing frame



### Mounting Cut-Out



### Suspension with ring bolts



### Light Fitting with flushing frame

	Number of lamps	18 W	36 W	58 W
L1	2	730	1340	1640
	4	[28.74]	[52.76]	[64.57]
L2	2	670	1280	1580
	4	[26.38]	[50.39]	[62.20]
L3	2	380		
	4	[14.96]		
L4	2	480		
	4	[18.90]		
L5	2	320	1382	1682
	4	[12.60]	[54.41]	[66.22]
L6	2	420		
	4	[16.54]		
a	2	772		
	4	[30.39]		
b	2	422	1350	1650
	4	[16.61]	[53,15]	[64,96]
a	2	522		
	4	[20.55]		
b	2	390		
	4	[15.35]		
a	2	490		
	4	[12.29]		
b	2	740	1350	1650
	4	[29,13]	[53,15]	[64,96]

We reserve the right to make alterations to the technical data, dimensions, weights, designs and products available without notice. The illustrations cannot be considered binding.