

# Floodlight LED

## Series 6125



www.stahl.de



- > Floodlight Zones 1, 2 and 21, 22 with highly efficient LEDs
- > 3 different light distribution types for adjusting to the illumination task
- > Enclosure made of sheet steel single powder coated or stainless steel V4 A (SS316L) double powder coated for marine applications
- > Broad operating temperature range from -30 ... +50 °C
- > Low-maintenance due to long service life of up to 100,000 operating hours

E2



18199E00

	ATEX / IECEx					
Zone	0	1	2	20	21	22
For use in		x	x		x	x

### Explosion Protection

#### Global (IECEx)

Gas and dust | IECEx EPS 15.0087  
 Ex db eb op is IIB T4 Gb  
 Ex tb IIIC T80°C, T95°C Db

#### Europe (ATEX)

Gas and dust | EPS 15 ATEX 1 114  
 Ⓢ II 2G Ex db eb op is IIB T4 Gb  
 Ⓢ II 2D Ex tb IIIC T80°C, T95°C Db

Type	Power	Ambient temperature	Temperature class	Max. surface temperature
6125/11..-21..-.....	120 W	-30 °C ... +50 °C	T6	80 °C
6125/11..-42..-.....	210 W	-30 °C ... +50 °C	T4	95 °C
6125/11..-42..-.....	210 W	-30 °C ... +45 °C	T6	80 °C

### Certifications and certificates

Certificates | IECEx, ATEX, India (PESO)

**WebCode 6125A**

# Floodlight LED

## Series 6125

Selection Table

Version	Light distribution	Terminals	Cable glands	Material	Order number	Art. no.	Weight kg
Floodlight LED Series 6125 120 W	narrow beam	5x 4mm <sup>2</sup>	2 x M25	Sheet steel	6125/1111-2131-5011-111	254062	23.000
				Stainless steel V4A	6125/1111-2131-5011-242	254084	23.000
			2 x M20	Sheet steel	6125/1111-2131-5021-111	254078	23.000
				Stainless steel V4A	6125/1111-2131-5021-242	254090	23.000
		5x 6mm <sup>2</sup>	2 x M25	Sheet steel	6125/1111-2131-6011-111	254065	23.000
				Stainless steel V4A	6125/1111-2131-6011-242	254087	23.000
	2 x M20		Sheet steel	6125/1111-2131-6021-111	254081	23.000	
			Stainless steel V4A	6125/1111-2131-6021-242	254093	23.000	
	medium beam	5x 4mm <sup>2</sup>	2 x M25	Sheet steel	6125/1112-2131-5011-111	254063	23.000
				Stainless steel V4A	6125/1112-2131-5011-242	254085	23.000
		2 x M20	Sheet steel	6125/1112-2131-5021-111	254079	23.000	
			Stainless steel V4A	6125/1112-2131-5021-242	254091	23.000	
		5x 6mm <sup>2</sup>	2 x M25	Sheet steel	6125/1112-2131-6011-111	254076	23.000
				Stainless steel V4A	6125/1112-2131-6011-242	254088	23.000
	2 x M20		Sheet steel	6125/1112-2131-6021-111	254082	23.000	
			Stainless steel V4A	6125/1112-2131-6021-242	254095	23.000	
	wide beam	5x 4mm <sup>2</sup>	2 x M25	Sheet steel	6125/1114-2131-5011-111	254064	23.000
				Stainless steel V4A	6125/1114-2131-5011-242	254086	23.000
		2 x M20	Sheet steel	6125/1114-2131-5021-111	254080	23.000	
			Stainless steel V4A	6125/1114-2131-5021-242	254092	23.000	
		5x 6mm <sup>2</sup>	2 x M25	Sheet steel	6125/1114-2131-6011-111	254077	23.000
				Stainless steel V4A	6125/1114-2131-6011-242	254089	23.000
	2 x M20		Sheet steel	6125/1114-2131-6021-111	254083	23.000	
			Stainless steel V4A	6125/1114-2131-6021-242	254096	23.000	

# Floodlight LED

## Series 6125



Selection Table

Version	Light distribution	Terminals	Cable glands	Material	Order number	Art. no.	Weight kg	
Floodlight LED Series 6125 210 W	narrow beam	5x 4mm <sup>2</sup>	2 x M25	Sheet steel	6125/1111-4231-5011-111	254097	29.500	
				Stainless steel V4A	6125/1111-4231-5011-242	254109	29.500	
				2 x M20	Sheet steel	6125/1111-4231-5021-111	254103	29.500
					Stainless steel V4A	6125/1111-4231-5021-242	254115	29.500
		5x 6mm <sup>2</sup>	2 x M25	Sheet steel	6125/1111-4231-6011-111	254100	29.500	
				Stainless steel V4A	6125/1111-4231-6011-242	254112	29.500	
		2 x M20	Sheet steel	6125/1111-4231-6021-111	254106	29.500		
			Stainless steel V4A	6125/1111-4231-6021-242	254118	29.500		
	medium beam	5x 4mm <sup>2</sup>	2 x M25	Sheet steel	6125/1112-4231-5011-111	254098	29.500	
				Stainless steel V4A	6125/1112-4231-5011-242	254110	29.500	
			2 x M20	Sheet steel	6125/1112-4231-5021-111	254104	29.500	
				Stainless steel V4A	6125/1112-4231-5021-242	254116	29.500	
		5x 6mm <sup>2</sup>	2 x M25	Sheet steel	6125/1112-4231-6011-111	254101	29.500	
				Stainless steel V4A	6125/1112-4231-6011-242	254113	29.500	
		2 x M20	Sheet steel	6125/1112-4231-6021-111	254107	29.500		
			Stainless steel V4A	6125/1112-4231-6021-242	254119	29.500		
	wide beam	5x 4mm <sup>2</sup>	2 x M25	Sheet steel	6125/1114-4231-5011-111	254099	29.500	
				Stainless steel V4A	6125/1114-4231-5011-242	254111	29.500	
			2 x M20	Sheet steel	6125/1114-4231-5021-111	254105	29.500	
				Stainless steel V4A	6125/1114-4231-5021-242	254117	29.500	
		5x 6mm <sup>2</sup>	2 x M25	Sheet steel	6125/1114-4231-6011-111	254102	29.500	
				Stainless steel V4A	6125/1114-4231-6011-242	254114	29.500	
		2 x M20	Sheet steel	6125/1114-4231-6021-111	254108	29.500		
			Stainless steel V4A	6125/1114-4231-6021-242	254120	29.500		

E2

### Technical Data

#### Electrical data

Electronic balast		
Rated voltage	220 ... 240 V, 50/60 Hz	
Rated current	<b>6125/11..-21:</b>	0.54 A
	<b>6125/11..-42:</b>	0.94 A
Inrush current		
	<b>6125/11..-21 (120 W Version)</b>	<b>6125/11..-42 (210 W Version)</b>
	$I_{peak}$ (measured at 50 % $I_{peak}$ )	58 A; $\Delta t = 360 \mu s$
		116 A; $\Delta t = 360 \mu s$
	<b>max. light fittings per circuit breaker</b>	
	Type B 10 A	4
	Type B 16 A	9
	Type B 25 A	20
Power factor	> 0.95	
THD	≤ 10 %	

# Floodlight LED

## Series 6125

### Technical Data

#### Luminous characteristics

	6125/11..-2	6125/11..-4
Power consumption [W]	120	210
Colour rendering [CRI]	≥ 70	≥ 70
Colour temperature [K]	5,700	5,700
<b>wide beam</b>		
Luminous flux [lm]	11,763	19,658
Luminaire efficiency [lm/W]	98	94
<b>medium beam</b>		
Luminous flux [lm]	11,155	18,361
Luminaire efficiency [lm/W]	93	87
<b>narrow beam</b>		
Luminous flux [lm]	12,081	19,979
Luminaire efficiency [lm/W]	101	95

Values apply to  $T_a = +25\text{ °C}$ .  
 Luminous flux decrease at  $T_a = +50\text{ °C}$   
 • ≥ 90 % of the nominal value. (120 W Version)  
 • ≥ 60 % of the nominal value. (210 W Version)

#### Ambient conditions

Operating temperature range	-30 °C ... +50 °C (for 6125/11..-21 & 6125/11..-42)		
Storage temperature	-30 °C ... +75 °C		
Service life	$T_a \leq +40\text{ °C}$	$+40\text{ °C} < T_a \leq +45\text{ °C}$	$+45\text{ °C} < T_a \leq +50\text{ °C}$
	L <sub>70</sub> B <sub>10</sub> C <sub>10</sub>	100,000 h	80,000 h
	L <sub>x</sub> B <sub>y</sub> C <sub>z</sub>		
	At the end of the service life:		
	<ul style="list-style-type: none"> <li>- Luminous flux decreases by "x" percent.</li> <li>- up to "y" percent of all luminaires fall below "x"</li> <li>- up to "z" percent of all luminaires break down completely</li> </ul>		

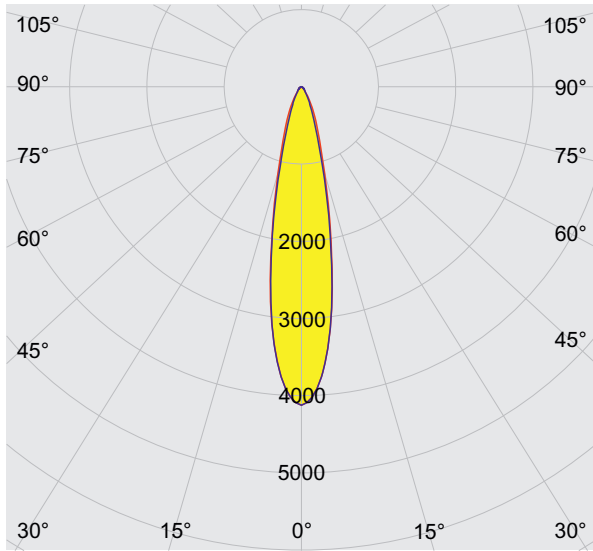
#### Mechanical data

Degree of protection	IP66 (IEC 60529)
Protection class	I (with internal PE connection)
Impact strength (IK code)	IK10 (IEC 62262)
Material	
Enclosure	<b>6125/.....-11</b> Sheet steel, powder-coated <b>6125/.....-42</b> Stainless steel 1.4404 (V4A), with powder coating
Colour	Colour white, similar to RAL 9010
Seal	Foamed silicone in luminaire cover
Lamp cover	Toughened glass
Bracket	Sheet steel, single powder-coated or Stainless steel SS316L (1.4404 or V4A) without powder coating
Enclosure lock	Pan head screw, M6, stainless steel Hinged enclosure cover

#### Mounting / Installation

Cable entry	1 x cable glands Series 8161 1 x stopping plugs Series 8290
Connection	<b>Standard:</b> 5-pole (2x L1, 2x L2, 2x L3, 2x N, 2x PE) Spring clamp terminals 0.75 ... 4 mm <sup>2</sup> solid / stranded Stripping length: 10 ... 11 mm  <b>Optional:</b> 5-pole (2x L1, 2x L2, 2x L3, 2x N, 2x PE) Spring clamp terminals 0.75 ... 4 mm <sup>2</sup> finely and extra finely stranded 0.75 ... 6 mm <sup>2</sup> solid Stripping length: 13 ... 15 mm
Loop in/loop out	max. 12 A

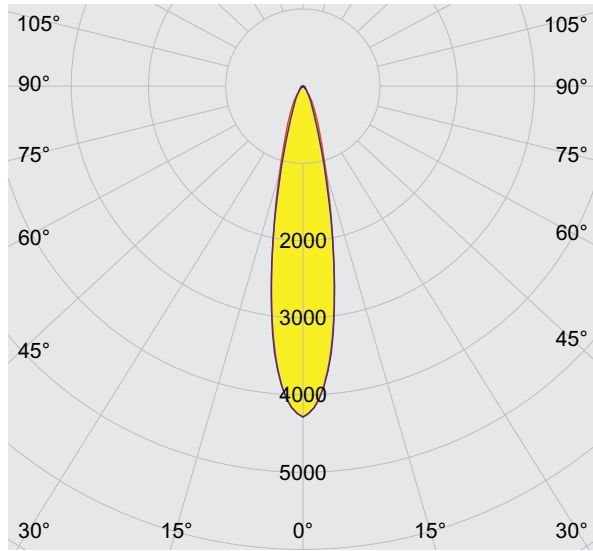
Light Distribution Curves



cd/klm  $\eta = 100\%$   
— C0 - C180 — C90 - C270

17978E00

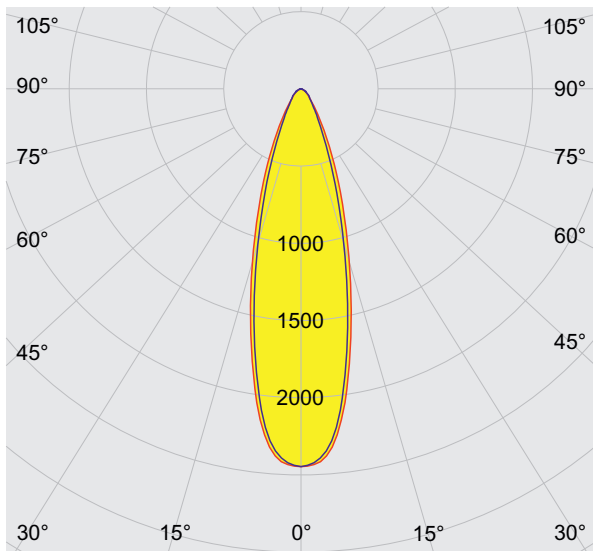
120 W narrow beam



cd/klm  $\eta = 100\%$   
— C0 - C180 — C90 - C270

17979E00

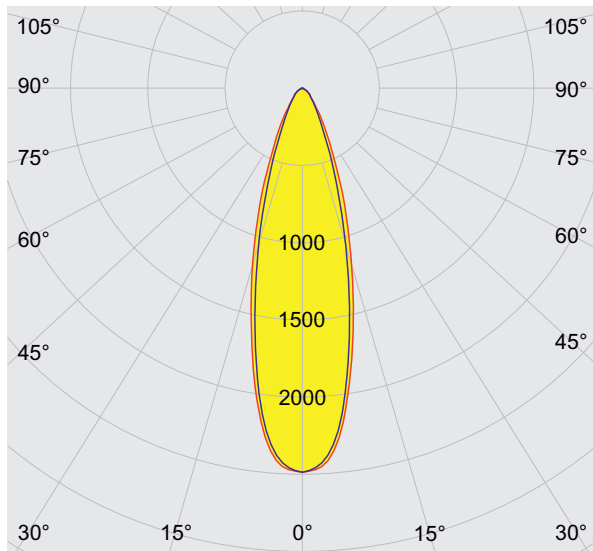
210 W narrow beam



cd/klm  $\eta = 100\%$   
— C0 - C180 — C90 - C270

17980E00

120 W medium beam



cd/klm  $\eta = 100\%$   
— C0 - C180 — C90 - C270

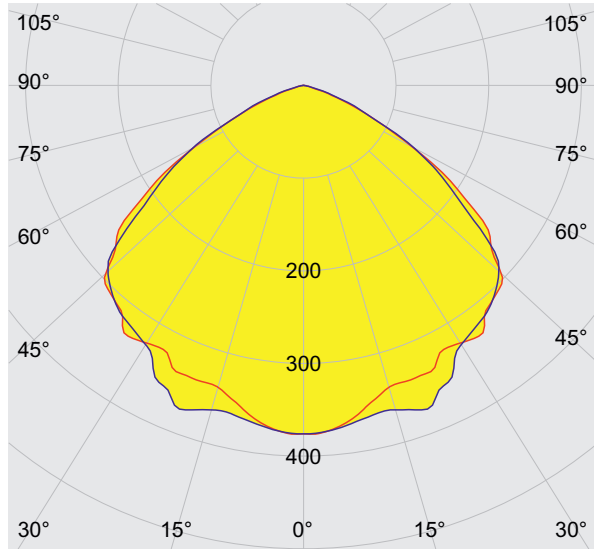
17981E00

210 W medium beam

# Floodlight LED

## Series 6125

### Light Distribution Curves



cd/klm

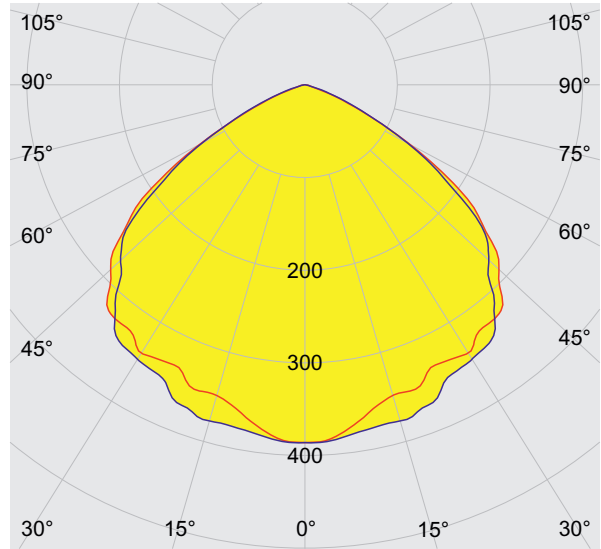
— C0 - C180

— C90 - C270

$\eta = 100\%$

17982E00

120 W wide beam



cd/klm

— C0 - C180

— C90 - C270

$\eta = 100\%$

17983E00

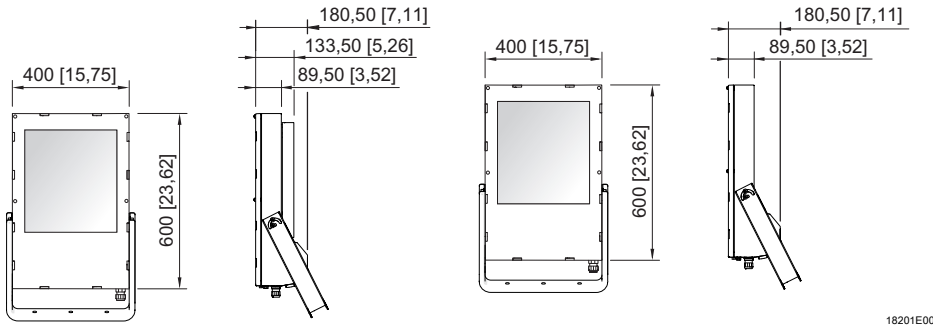
210 wide beam

# Floodlight LED

## Series 6125



### Dimensional Drawings (All Dimensions in mm [inches]) - Subject to Alterations

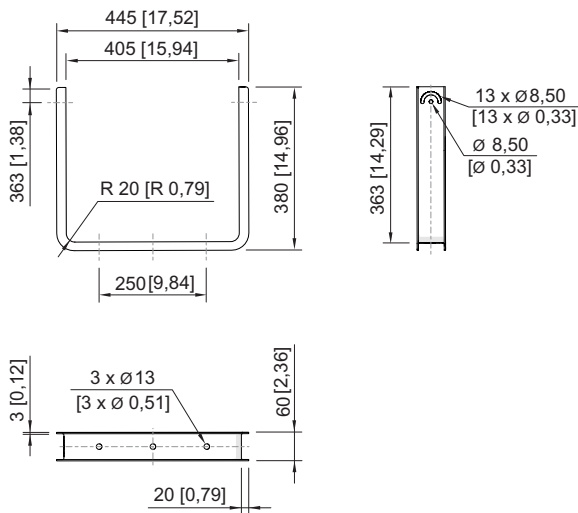


18200E00

18201E00

**Floodlight Series 6125**  
with cooling element  
(210 W version)

**Floodlight Series 6125**  
without cooling element  
(120 W version)



17561E00

**Mounting bracket**

We reserve the right to make alterations to the technical data, dimensions, weights, designs and products available without notice. The illustrations cannot be considered binding.