

Radio Position Switch Series 8074/1-8



- > No power supply or wiring necessary
- > EnOcean protocol
- > Transmission range 300 m in a free field
- > Multinetwork capable
- > Output signal individually configurable at the receiver
- > Easy programming on the receiver's side
- > Robust zinc die-casting housing
- > Wide range of actuators

www.stahl.de



12762E00



E4

R. STAHL presents series 8074/1-8, introducing a new generation of energy-autonomous radio position switches without any signal lines and power supply. Based on the EnOcean technology, the switch generates the energy for the signal transmission direct from the switching operation. This is achieved by means of an integrated miniaturised energy generator, converting the movement of the control bucket tappet in the electrical energy. The signal is transmitted in the 868 MHz SRD band which is a license exempt frequency band in Europe. The transmission power of the signal is 10 mW. There is no need to lay cables. Thus, a simplified installation of the switches is also possible in places that are difficult to access. For evaluation, single and multiple channel receivers can be mounted in the switching cabinet. A repeater can be used for transmitting signals over long distances.

Zone	IECEx / ATEX					
	0	1	2	20	21	22
For use in		x	x		x	x

WebCode 8074/1-8

Radio Position Switch

Series 8074/1-8



Explosion Protection

Explosion protection










Global (IECEX)
Gas and dust

Ex ib IIC T6 Gb
Ex ib IIIC T80 °C Db

Europe (ATEX)
Gas and dust

II 2 G Ex ib IIC T6 Gb
II 2 D Ex ib IIIC T80 °C Db

Selection Table

Version			Order number	Art. no.	Weight kg
 10787E00	extended plunger	stainless steel plunger	8074/1-8-S	209441	0.346
 10786E00	roller plunger	roller made of moulded material	8074/1-8-RS	209444	0.346
 10784E00	roller lever plunger		8074/1-8-AR	209446	0.410
 10790E00	swivelling roller lever		8074/1-8-HR311	209447	0.449
 10785E00	adjustable roller lever	roller made of moulded material; roller rod made of stainless steel	8074/1-8-HV	209448	0.453
 10779E00	actuating rod	rod made of moulded material	8074/1-8-HH-K	209449	0.448
 10782E00	swivelling lever, big	roller made of moulded material	8074/1-8-HR312	209450	0.494
 10781E00	forked roller lever		8074/1-8-GR	209451	0.468
 10783E00	angled roller lever		8074/1-8-WR	209452	0.350

Radio Position Switch

Series 8074/1-8



Technical Data

Electrical data

Power supply	Electrodynamic energy generator
Protocol	EnOcean
Switching frequency	approx. 9,000 telegrams at repetitions / h
Frequency	868.3 MHz
Transmission power	max. 10 mW
Data rate	120 kbps
Channel bandwidth	280 kHz
Transmission range	max. 300 m in a free field max. 30 m indoors
Actuating time	min. 80 ms
Switching function	spring return

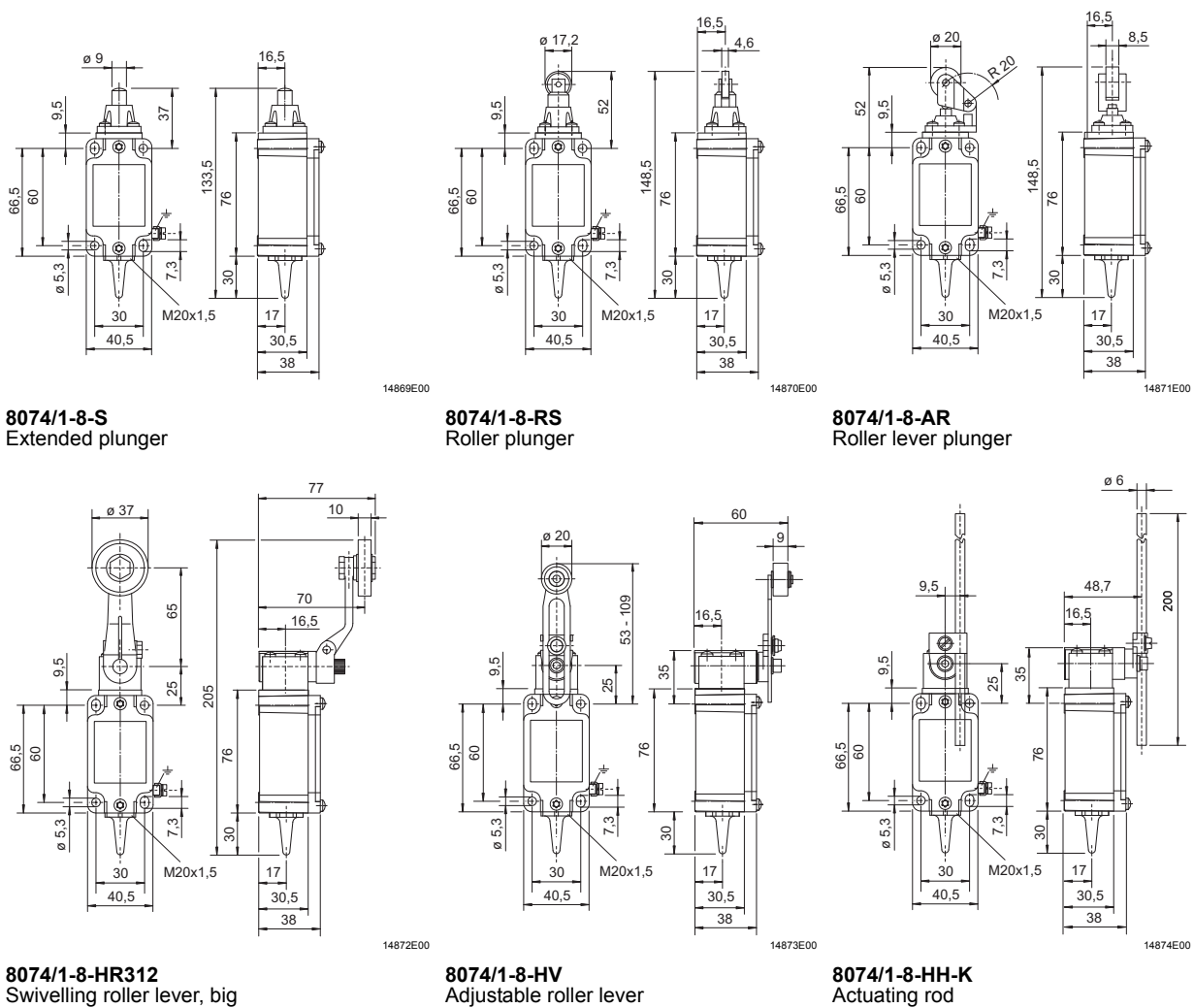
Ambient conditions

Ambient temperature	-20 ... +60 °C
---------------------	----------------

Mechanical data

Enclosure material	Zinc die-casting, coated
Degree of protection	IP67 acc. to IEC/EN 60529
Mechanical life	> 1 million operations

Dimensional Drawings (All Dimensions in mm) - Subject to Alterations



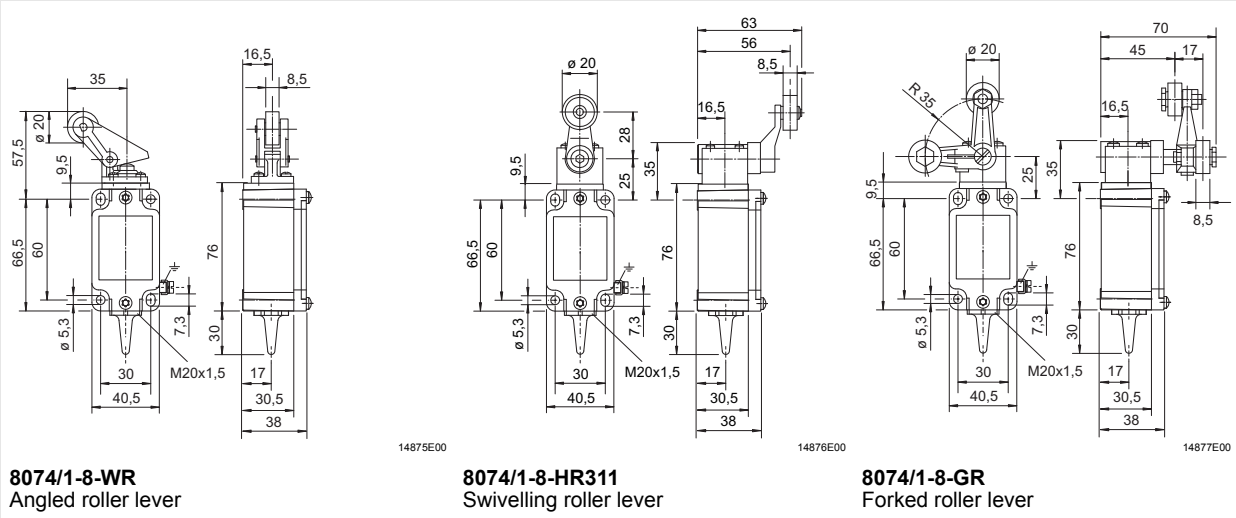
E4

Radio Position Switch

Series 8074/1-8



Dimensional Drawings (All Dimensions in mm) - Subject to Alterations



We reserve the right to make alterations to the technical data, dimensions, weights, designs and products available without notice. The illustrations cannot be considered binding.