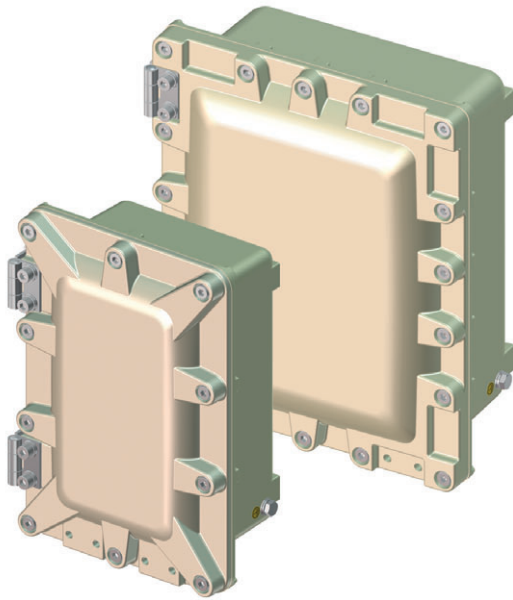


## Empty Enclosure Series 8250



- > Cost effective single enclosure
- > Lightweight construction
- > Temperature range for worldwide use
- > Retrofittable hinges

E3



16087E00

The enclosure is used to build motor control units, control stations and terminal boxes with type of protection "Ex d". It is suitable for the installation of customer-specific control panels. The enclosure allows installation and operation of arcing equipment in Zones 1, 2, 21 and 22. For direct cable entry into the enclosures, flameproof cable glands with type of protection Ex d or threaded holes for conduit connection can be applied.

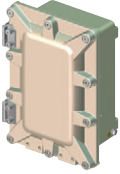
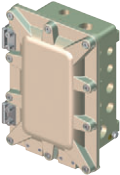
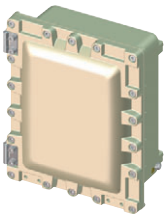
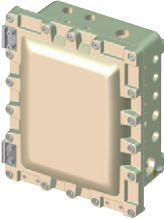
Zone	ATEX / IECEx					
	0	1	2	20	21	22
For use in		x	x		x	x

WebCode 8250A

# Empty Enclosure

## Series 8250

Selection Table

Version	Description	Order number	Weight kg
 <p>16089E00 Enclosure size 1</p>	Empty enclosure without holes	<b>8250/0-0250-0150-110-210031</b>	6.540
 <p>16092E00 Enclosure size 1</p>	Empty enclosure with holes (see list of dimensional drawings)	<b>8250/1-0250-0150-110-210231</b>	6.540
 <p>16088E00 Enclosure size 2</p>	Empty enclosure without holes	<b>8250/0-0300-0230-125-210031</b>	10.500
 <p>16093E00 Enclosure size 2</p>	Empty enclosure with holes (see list of dimensional drawings)	<b>8250/1-0300-0230-125-210231</b>	10.500

# Empty Enclosure Series 8250



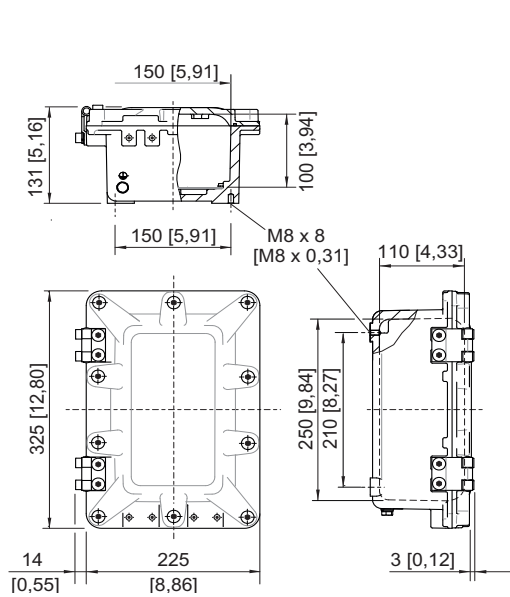
## Technical Data

<b>Explosion protection</b>	
Global (IECEX) Gas and dust	IECEX BVS 13.0067U Ex d IIB T4-T6 Gb Ex tb IIIC T80°C - T130°C Db
Europe (ATEX) Gas and dust	BVS 13 ATEX E057U ⊕ II 2G Ex d IIB T4-T6 Gb ⊕ II 2 D Ex tb IIIC T80°C - T130°C Db
<b>Certifications and certificates</b>	
Certificates	IECEX, ATEX, India (PESO)
<b>Electrical data</b>	
Protective conductor connection	inside/outside on the enclosure (threaded holes), M8 threaded screw Tightening torque: 2.8 Nm
<b>Ambient conditions</b>	
Ambient temperature range	-60 ... +70 °C
with actuation axis, coupler, inspection window	-55 ... +55 °C
Storage temperature	-60 ... +80 °C
Limit temperature enclosure material	LM25: 130 °C
Relative humidity (no condensation)	95 %
Use at the height of	< 2000 m (others on request)
<b>Mechanical data</b>	
Enclosure material	LM 25, coated/not coated
Seal	Silicone O-ring
Degree of protection	IP65, IP66 according to IEC/EN 60529 (with additional O-ring)
Cover lock	(optional: captive) M8 stainless steel allen screws, tightening torque M8 = 12 Nm, M10 = 18 Nm
Hinges	optional with cover hinges, enclosure cover opening angle > 180°
Wall mounting	using a mounting bracket (accessories) or directly into the enclosure base

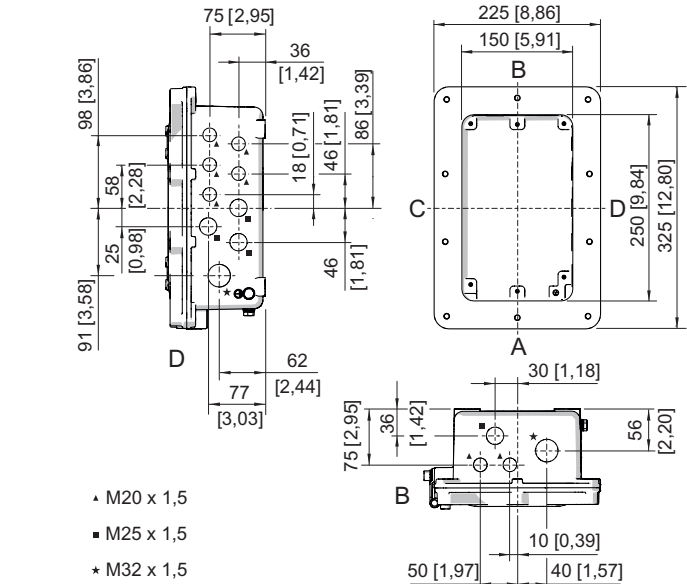
E3

# Empty Enclosure Series 8250

**Dimensional Drawings** (All Dimensions in mm [inches]) - Subject to Alterations)



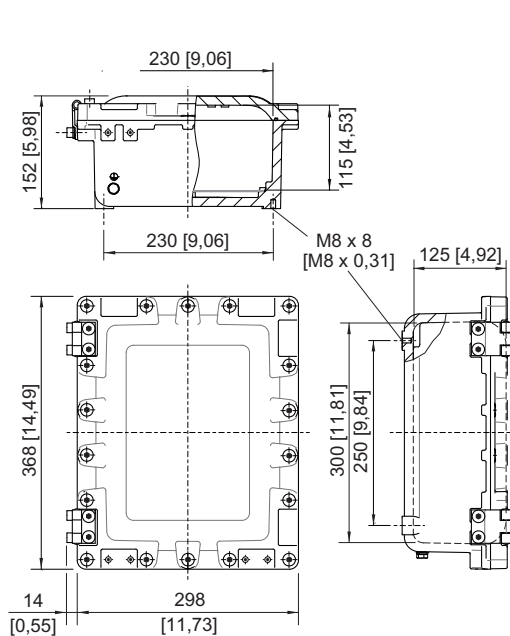
**8250/0-0250-150-110-..21..**  
Size 1 without holes



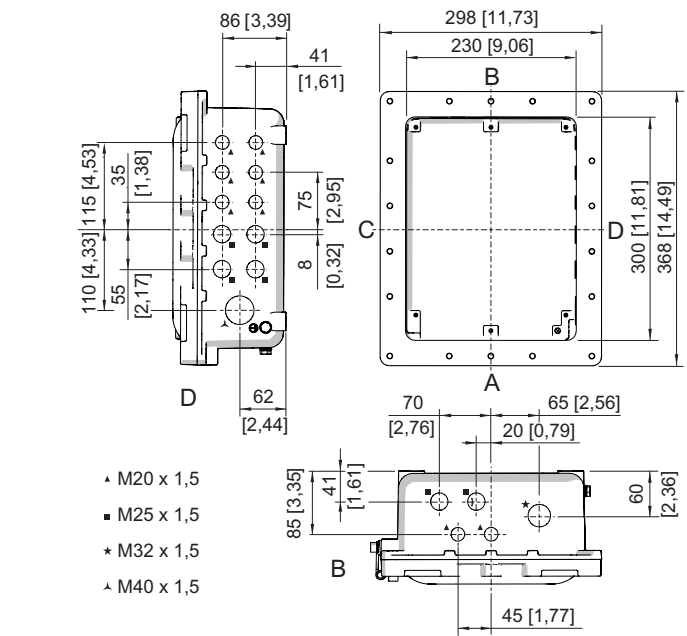
16090E00

16133E00

**8250/1-0250-150-110-210231**  
Size 1 with holes



**8250/0-0300-0230-125-..21..**  
Size 2 without holes



16091E00

16134E00

**8250/1-0300-0230-125-210231**  
Size 2 with holes