

316L Stainless Steel Explosion Proof Coil for Oil and Gas Market

Lucifer® ATEX "d" Coil
Ref. 497105 (M20x1.5)
Ref. 49710502 (1/2 NPT)



Product

The new 316L Stainless Steel Explosion Proof Flameproof "d" Coil Ref. 497105 is valid for Zone 1/21 and is compatible with existing Parker Lucifer Valve X, V, and F Series (See product range table next page).



Contact Information

**Parker Hannifin Manufacturing
Switzerland SA**

Fluid Control Division Europe

Ch. Fbg de Cruseilles, 16
1227 Carouge / Genève
Switzerland

Tel.: +41 22 30 77 111

Fax: +41 22 30 77 110

www.parker.com/fcde

Markets

- Chemical
- Petrochemical
- Oil & Gas industries

Applications

Control of solenoid valves in hazardous areas Zone 1-21

Benefits

- Light and compact design
- Highly resistant to corrosion
- Easy mounting and dismantling
- Easy maintenance
- Modular with all other current ATEX Parker Lucifer coils
- Inventory reduction for distributors
- The coil can be assembled or disassembled from its valve very easily
- Quick electrical cable connection
- The coil permits reversible up or down position of the threaded 1/2" NPT cable entry with 360° rotation capability



ENGINEERING YOUR SUCCESS.

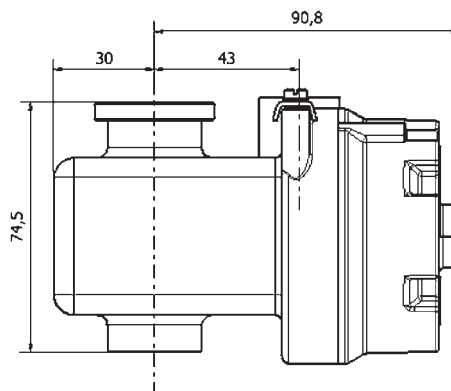
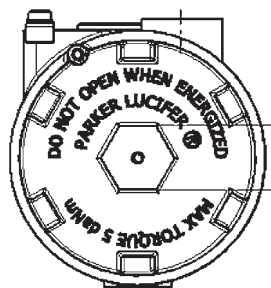
Technical Data

- Housing is made of 316L stainless steel.
- Power consumption 8W Max
- 1/2" NPT or M20 x 1.5 cable entry
- Protection level IP 66
- Peak voltage suppression and AC rectifier included as standard

Solenoid Valve Product Range

316L STAINLESS ST. PIPE/SUB-BASE MOUNTING																
Port Size	Function	Orifice Ø 1 mm	Flow Factor Qn l/min	Operating Pressure Differential			Fluid Temp.		Seat Seal	Parker LUCIFER® Valves			Electrical Connection	Power		Coil Group
				Min bar	Max (MOPD) AC bar	DC bar	Min °C	Max °C		Valve Ref.	Housing Ref.	Coil Ref.		AC W	DC W	
1/4 NPT	3/2 universal auto reset	6	680	0	12	12	-25	65	NBR	U133X7196	-	497105 49710502	M20x1.5 1/2 NPT	8	8	9.0/10.1/10.2/10.3
	3/2 universal manual override	6	680	0	12	12	-25	65	NBR	U133X7156	-	497105 49710502	M20x1.5 1/2 NPT	8	8	9.0/10.1/10.2/10.3
	3/2 universal manual reset	6	680	0	12	12	-25	65	NBR	U033X7156	-	497105 49710502	M20x1.5 1/2 NPT	8	8	9.0/10.1/10.2/10.3/12
	3/2 universal	2.5	220	0	9	9	-25	75	FKM	U133V7695	-	497105 49710502	M20x1.5 1/2 NPT	8	8	9.0/10.1/10.3
	3/2 universal	2	140	0	12	12	-25	75	FKM	U133V7595	-	497105 49710502	M20x1.5 1/2 NPT	8	8	9.0/10.1/10.3
	2/2 normally closed	1	40	0	98	98	-25	75	FKM	U121V7595	-	497105 49710502	M20x1.5 1/2 NPT	8	8	9.0/10.1/10.3
SB	3/2 normally closed	2.5	220	0	12	12	-25	75	FKM	U131F7695	-	497105 49710502	M20x1.5 1/2 NPT	8	8	9.0/10.110.3

Dimensions

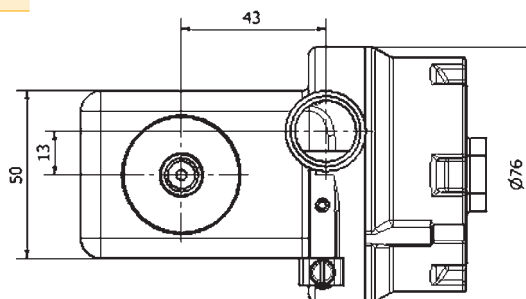


Voltage Codes

Voltage	12VDC	24VDC	48VDC	110VDC	24/50-60VAC	110/50-60VAC	220-230/50-60VAC
Code	C1	C2	C4	C5	P0	1P	3P

Ordering example

To order a solenoid valve select :
Valve reference - Coil reference and voltage code.
Example for 24 VDC: U133X7196-497105C2



Ed. 2013-07-08

