

# Signal Beacon - Zone 2

## Series TEF 2440

**TRANBERG®**

**STAHL**



- > Application
  - deck lighting
  - signal lighting
  - obstacle marking
- > Rugged construction
- > Easy to install and maintain
- > Degree of protection IP66 / IP67
- > Long lamp life due to compact fluorescent tube
- > Versatility offering variable mounting positions
- > Optional internal lamp reflector
- > Wide range of coloured globes available
- > Short ignition time at low temperatures
- > Resistant to vibrations



06432E00

E5

www.stahl.de



	ATEX					
Zone	0	1	2	20	21	22
For use in			x			

### Applications

- Deck lighting
- Signal lighting
- Obstacle marking
- Zone 2 and safe area

### Selection Table

Version	Lamps	Rated voltage	Colour of glass	Order number	Art. no.	Weight kg	
Signal light Series TEF 2440	1 x 13 W	230 V AC	clear	<b>TEF2440000</b>	<b>165849</b>	1.900	
			green	<b>TEF2440001</b>	<b>165850</b>	1.900	
			red	<b>TEF2440002</b>	<b>165851</b>	1.900	
			amber	<b>TEF2440003</b>	<b>165836</b>	1.900	
			blue	<b>TEF2440004</b>	<b>165837</b>	1.900	
			yellow	<b>TEF2440103</b>	<b>165854</b>	1.900	
			120 V AC	clear	<b>TEF2440017</b>	<b>165853</b>	1.900
				red	<b>TEF2440016</b>	<b>165852</b>	1.900
				amber	<b>TEF2440015</b>	<b>165838</b>	1.900
				blue	<b>TEF2440018</b>	<b>165839</b>	1.900

**WebCode T2440A**

# Signal Beacon - Zone 2

## Series TEF 2440

**TRANBERG®**

### Explosion Protection

#### Europe (ATEX)

Gas	NEMKO 03ATEX3336 II 3 G EEx nA II T3/T4
-----	--

### Certifications and certificates

Certificates	ATEX
--------------	------

### Technical Data

#### Electrical data

Rated voltage	230 V AC 50/60 Hz 120 V AC 60 Hz
Power consumption	18 W

#### Luminous characteristics

Lamp version	PL-C compact fluorescent tube, max. 13 W
Lamp holder	G 24 D / 1
Light intensity	> 10 cd red > 80 cd yellow > 90 cd white

#### Ambient conditions

Ambient temperature	-25 ... +45 °C
---------------------	----------------

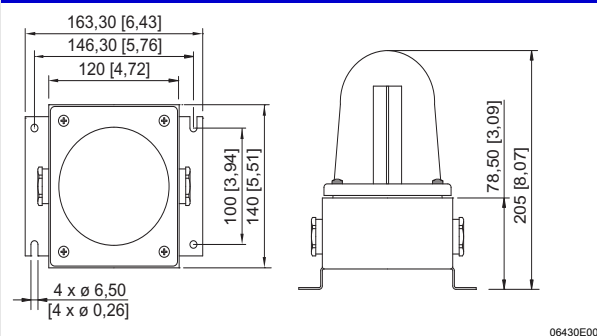
#### Mechanical data

Degree of protection	IP66 / IP67
Material	
Enclosure	acid proof stainless steel, powder coated (RAL 9002)
Globe	polycarbonate
Colour of glass	white, yellow, red, blue, green and amber
Cable entries	1 x cable gland M25 1 x stopping plug M25

### Accessories and Spare Parts

Designation	Description	Order number	Art. no.	Weight kg
Globe	clear, spare part kit	<b>TEF2548</b>	<b>165855</b>	0.180
	green, spare part kit	<b>TEF2592</b>	<b>165857</b>	0.180
	red, spare part kit	<b>TEF2553</b>	<b>165856</b>	0.180
	yellow amber, spare part kit	<b>TEF2593</b>	<b>165842</b>	1.800
	blue, spare part kit	<b>TEF2604</b>	<b>165858</b>	0.180
Ballast	ballast and lamp holder, spare part kit	<b>TEF2510</b>	<b>165840</b>	3.980
Fluorescent lamps	PLC 13 W / 84 230 V	<b>TEF9400060</b>	<b>165846</b>	0.060
	PLC 10 W / 84 230 V	<b>TEF9400062</b>	<b>165847</b>	0.060
	PLC 13 W 120 V	<b>TEF9400064</b>	<b>165848</b>	0.060

### Dimensional Drawings (All Dimensions in mm [inches]) - Subject to Alterations



We reserve the right to make alterations to the technical data, dimensions, weights, designs and products available without notice. The illustrations cannot be considered binding.